

214,3

Ø170,0

SECTION A-A
SCALE 1 : 1

US PAT. NR. 4915357
PAT. NR. 161487
EP. 284.581

PROPRIETARY AND CONFIDENTIAL
THE INFORMATION CONTAINED IN THIS
DRAWING IS THE SOLE PROPERTY OF
INDUSTRI LAMBERTSETER AS. ANY
REPRODUCTION IN PART OR AS A WHOLE
WITHOUT THE WRITTEN PERMISSION OF
INDUSTRI LAMBERTSETER AS IS PROHIBITED.

TITLE:
FRIKOBLINGSUNIT KOMPLETT
CAPTAIN KJ. 6,5-8MM



SCALE:
1:2

DWG NO.
11406

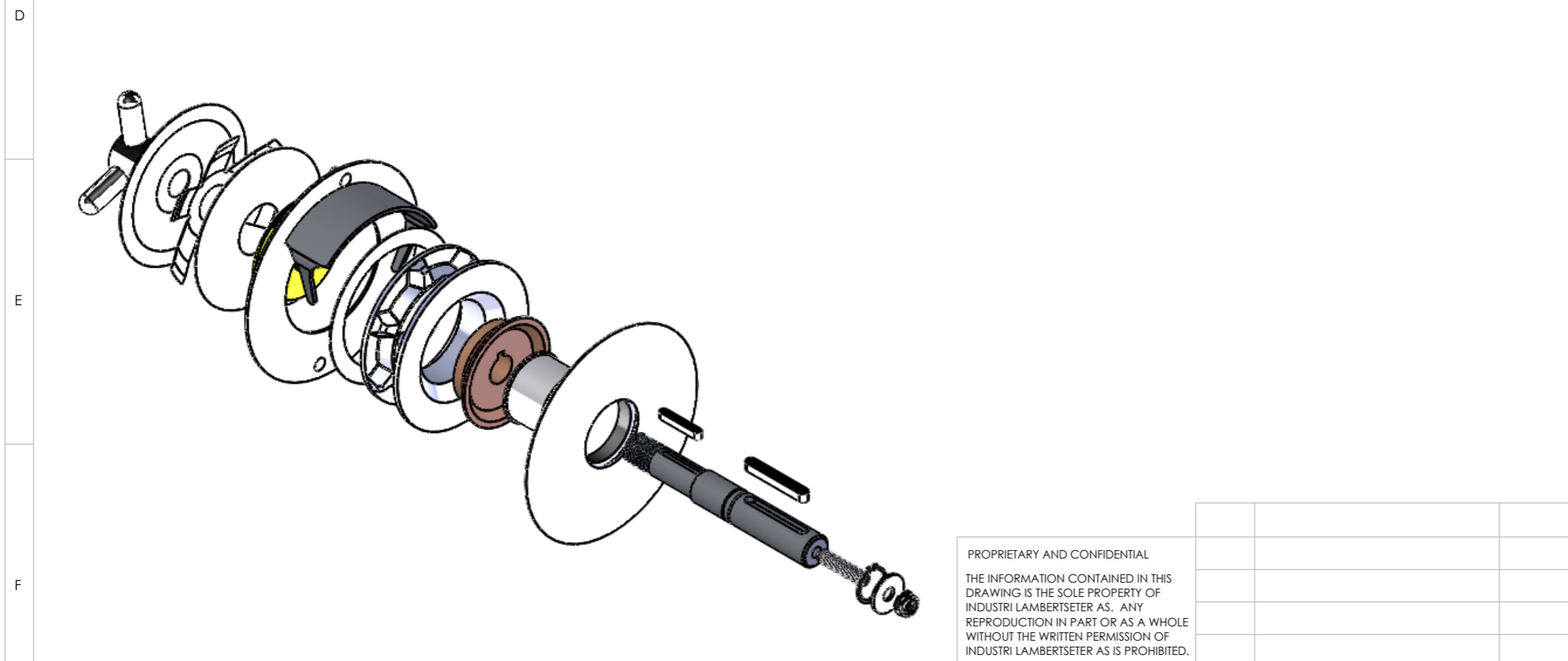
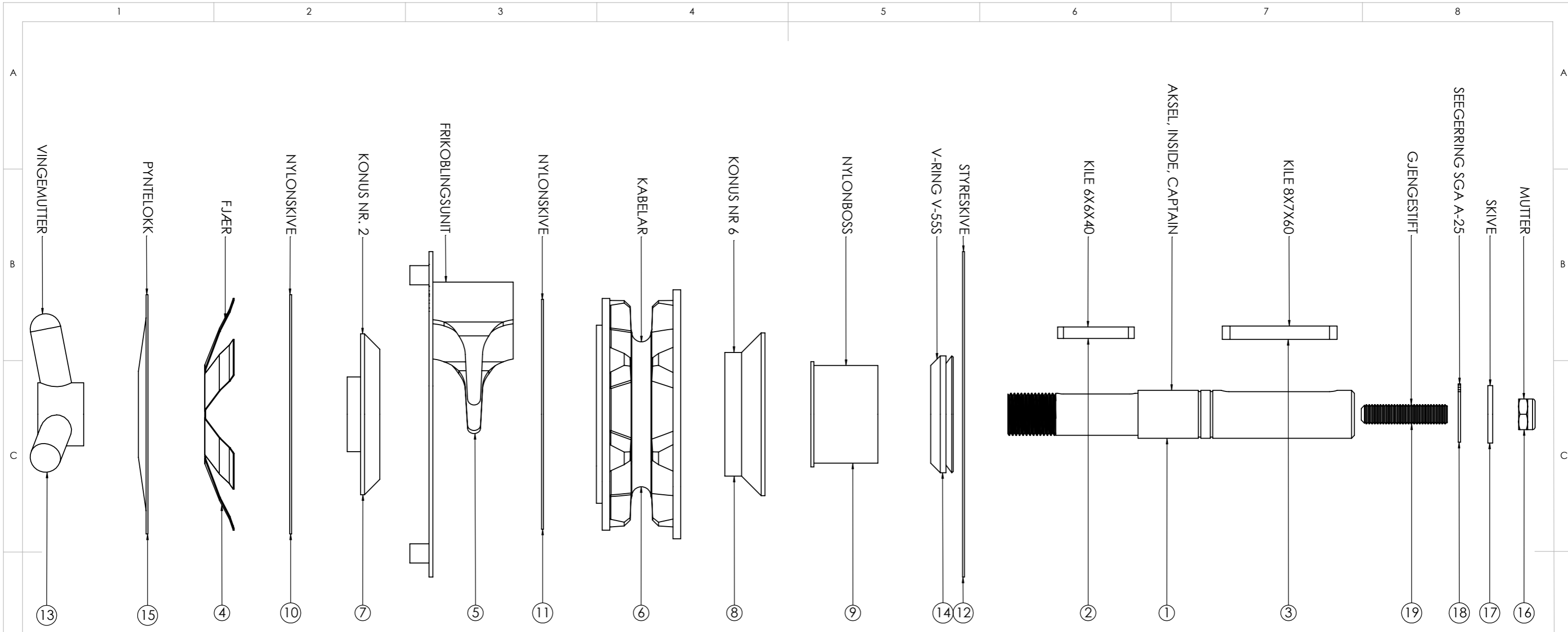
REV. NO.

DATE: 16.02.98

SYMBOL	CHANGE	DATE/SIGN.	WEIGHT:

MATERIAL:

CONTROL BY: DESIGNED BY: SEN SHEET: 1 / 3



NO.	PART NUMBER	DESCRIPTION	EXPLODED/QTY.
1	11148	AKSEL, INSIDE, CAPTAIN	1
2	11142	KILE 6X6X40	1
3	11146	KILE 8X7X60	1
4	11026 - in use	FJÆR	1
5	11030-1	FRIKOBLINGSUNIT	1
6	11048	KABELAR	1
7	11080	KONUS NR. 2	1
8	11046	KONUS NR 6	1
9	11414	NYLONBOSS	1
10	11028	NYLONSKIVE	1
11	11034	NYLONSKIVE	1
12	11410	STYRESKIVE	1
13	11018	VINGEMUTTER	1
14	11412	V-RING V-55S	1
15	32122	PYNTELOKK	1
16	34079	MUTTER	1
17	34061	SKIVE	1
18	11158	SEEGERRING SGA A-25	1
19	36575	GJENGESTIFT	1

PROPRIETARY AND CONFIDENTIAL
 THE INFORMATION CONTAINED IN THIS
 DRAWING IS THE SOLE PROPERTY OF
 INDUSTRI LAMBERTSETER AS. ANY
 REPRODUCTION IN PART OR AS A WHOLE
 WITHOUT THE WRITTEN PERMISSION OF
 INDUSTRI LAMBERTSETER AS IS PROHIBITED.

TITLE:
FRIKOBLINGSUNIT KOMPLETT
 CAPTAIN KJ. 6,5-8MM

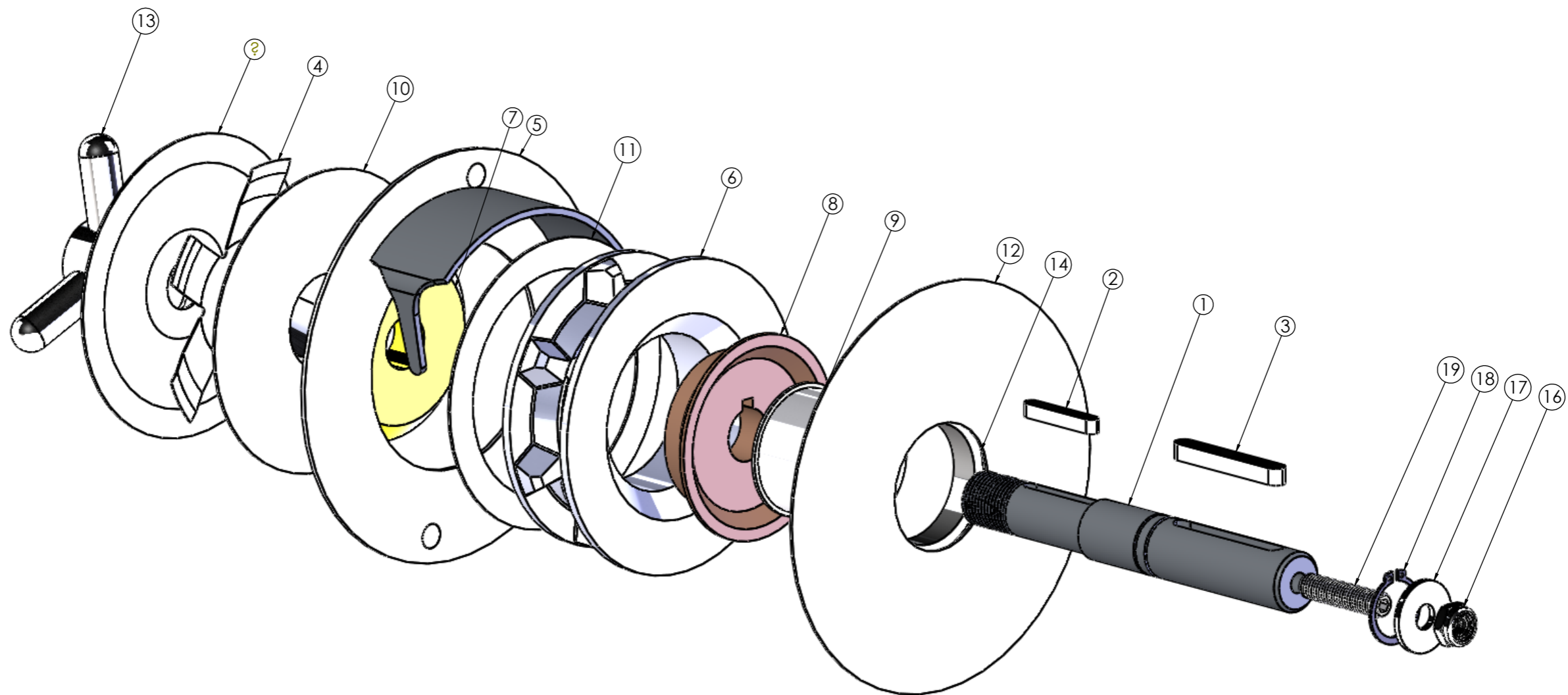
MATERIAL:
 WEIGHT:

SCALE:
1:2

REV. NO.
 DATE: 16.02.98

CONTROL BY: DESIGNED BY: SEN SHEET: 2 / 3

DWG NO.
11406



NO.	PART NUMBER	DESCRIPTION	EXPLODED/QTY.
1	11148	AKSEL, INSIDE, CAPTAIN	1
2	11142	KILE 6X6X40	1
3	11146	KILE 8X7X60	1
4	11026 - in use	FJÆR	1
5	11030-1	FRIKOBLINGSUNIT	1
6	11048	KABELAR	1
7	11080	KONUS NR. 2	1
8	11046	KONUS NR 6	1
9	11414	NYLONBOSS	1
10	11028	NYLONSKIVE	1
11	11034	NYLONSKIVE	1
12	11410	STYRESKIVE	1
13	11018	VINGEMÜTTER	1
14	11412	V-RING V-55S	1
15	32122	PYNTELOKK	1
16	34079	MUTTER	1
17	34061	SKIVE	1
18	11158	SEEGERRING SGA A-25	1
19	36575	GJENGESTIFT	1

PROPRIETARY AND CONFIDENTIAL
 THE INFORMATION CONTAINED IN THIS
 DRAWING IS THE SOLE PROPERTY OF
 INDUSTRI LAMBERTSETER AS. ANY
 REPRODUCTION IN PART OR AS A WHOLE
 WITHOUT THE WRITTEN PERMISSION OF
 INDUSTRI LAMBERTSETER AS IS PROHIBITED.

TITLE:
FRIKOBLINGSUNIT KOMPLETT
 CAPTAIN KJ. 6,5-8MM



SCALE:
1:2

DWG NO.
11406

REV. NO.

DATE: 16.02.98

MATERIAL:

WEIGHT:

CONTROL BY:

DESIGNED BY: SEN

SHEET: 3 / 3

SYMBOL CHANGE

DATE/SIGN.

1

2

3

4